

---

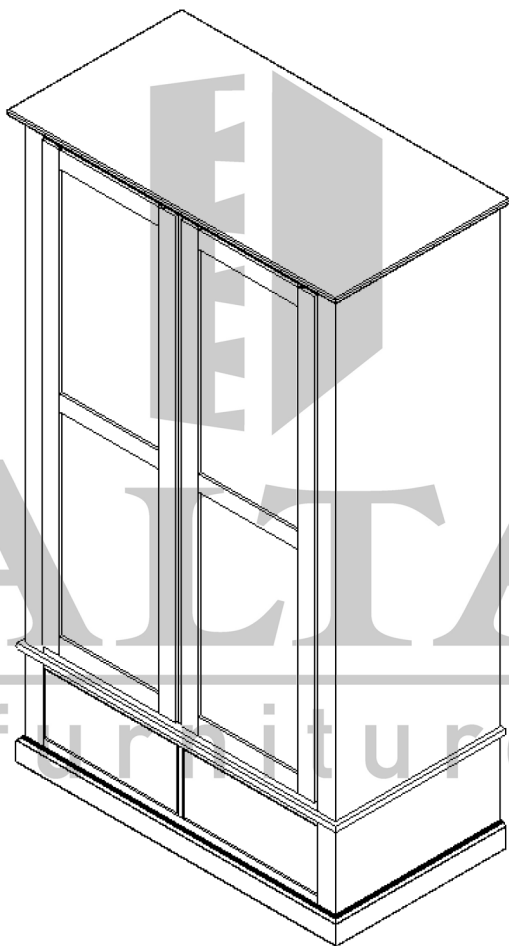
**Montagehandleiding kast**

**Montageanweisung schrank**

**Assembly manual wardrobe**

**Instruction de montage armoire à linge**

---

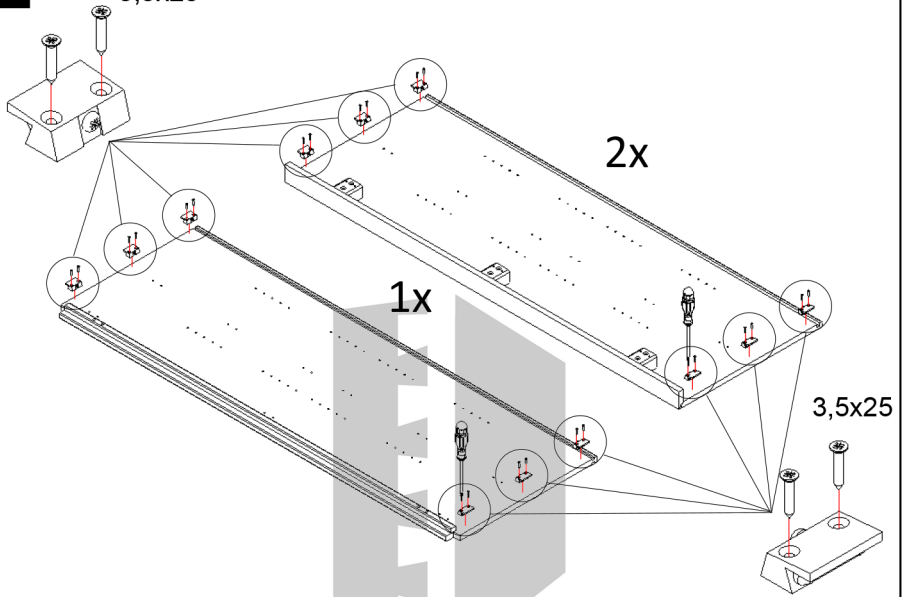


**ALTA**  
furniture

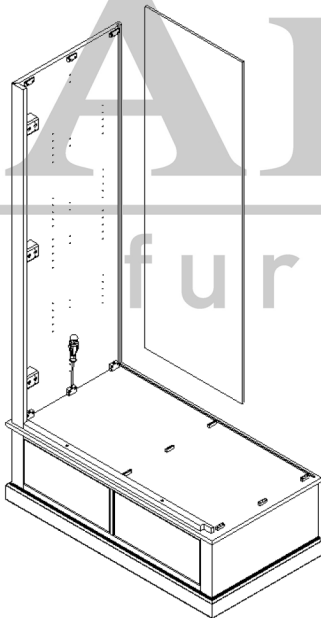
---

2

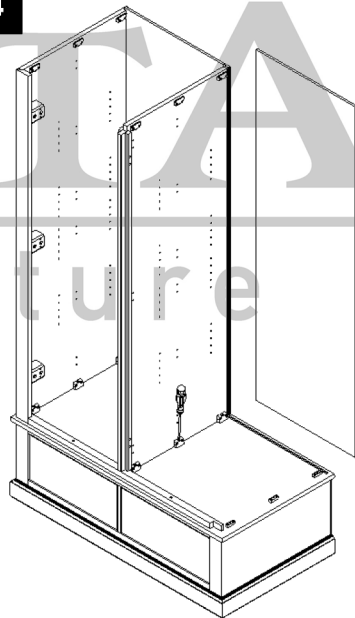
3,5x25

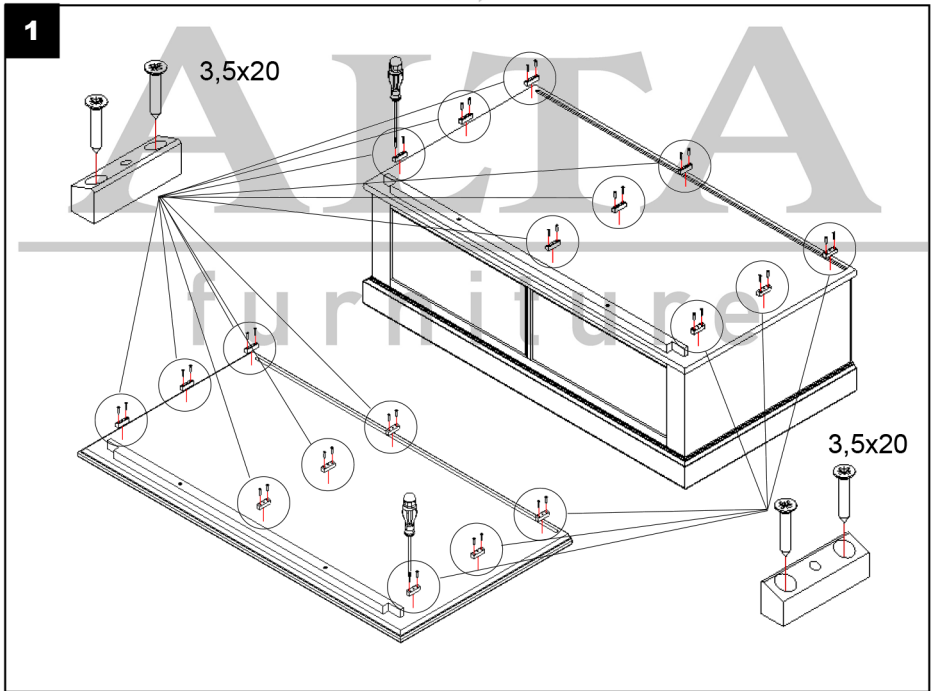
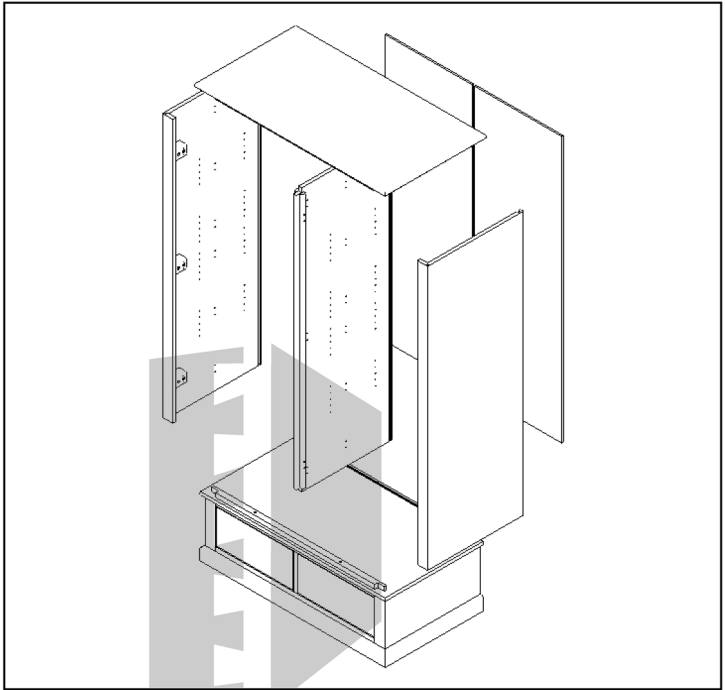
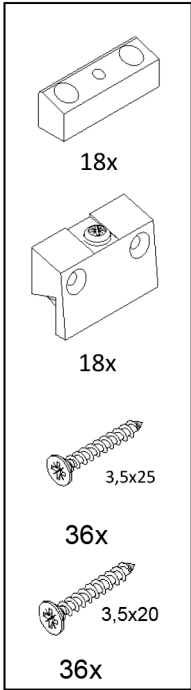


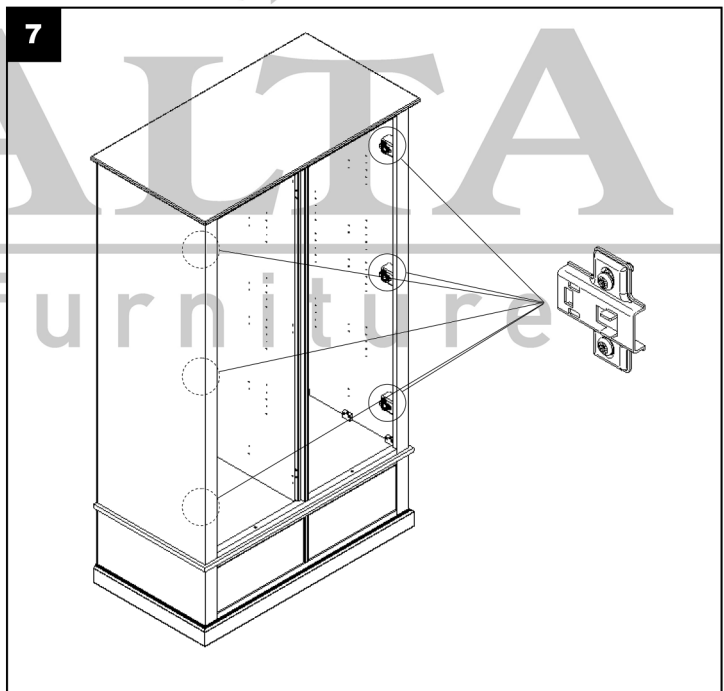
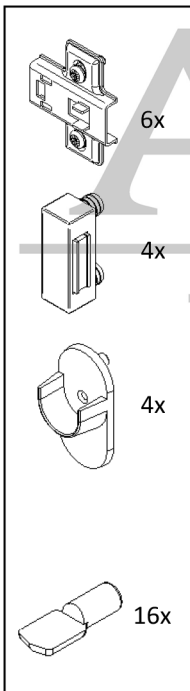
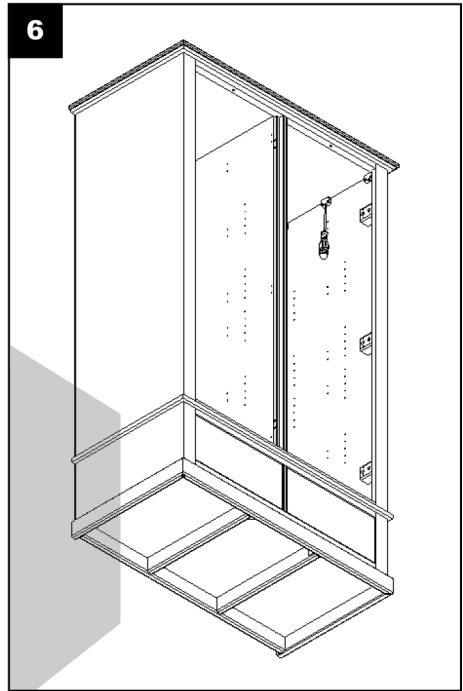
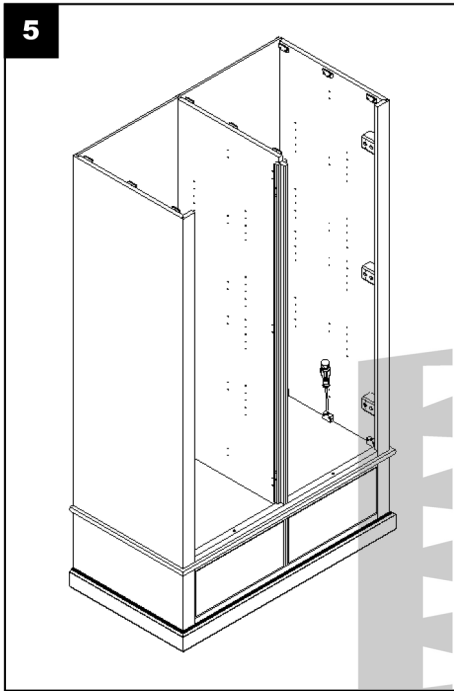
3



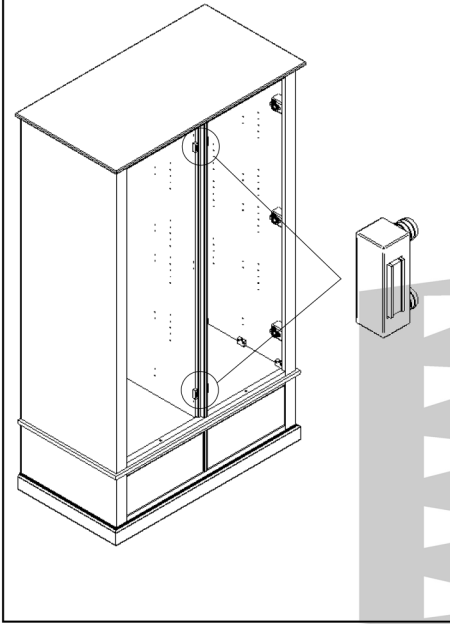
4



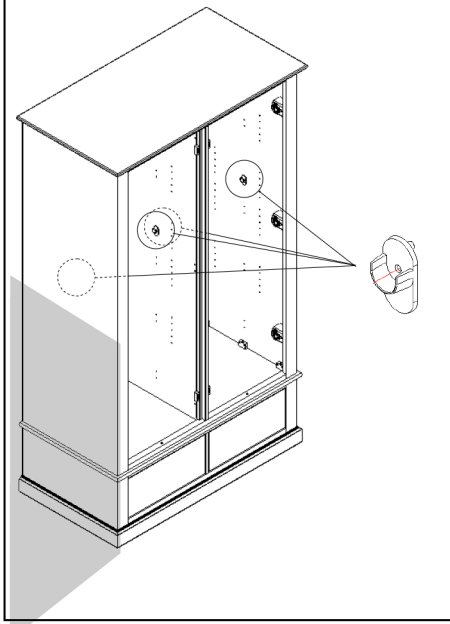




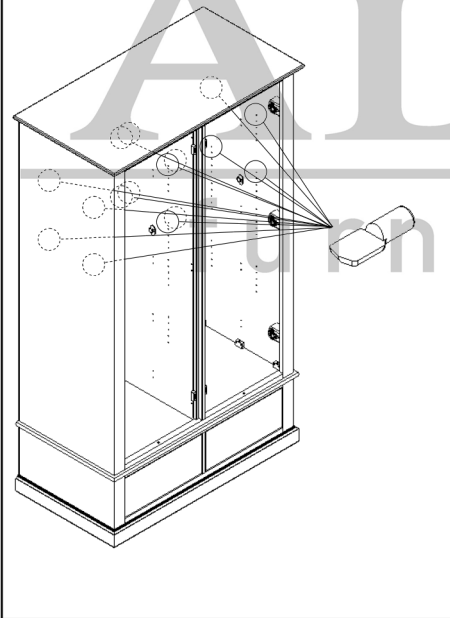
8



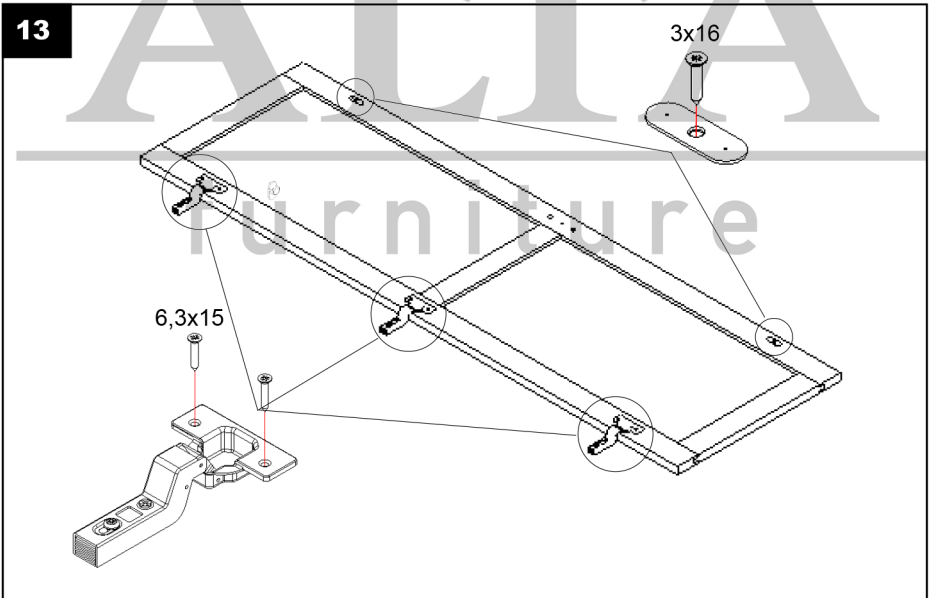
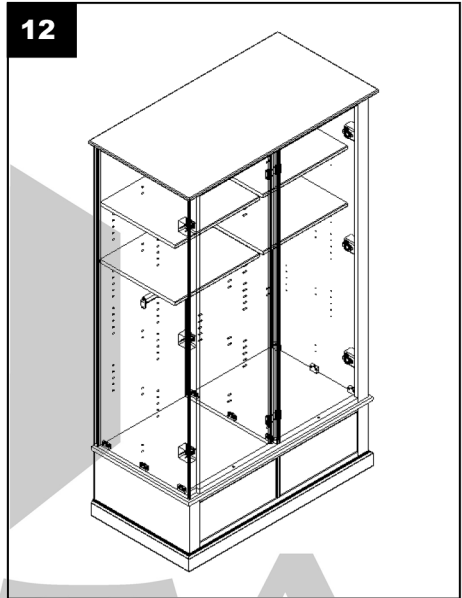
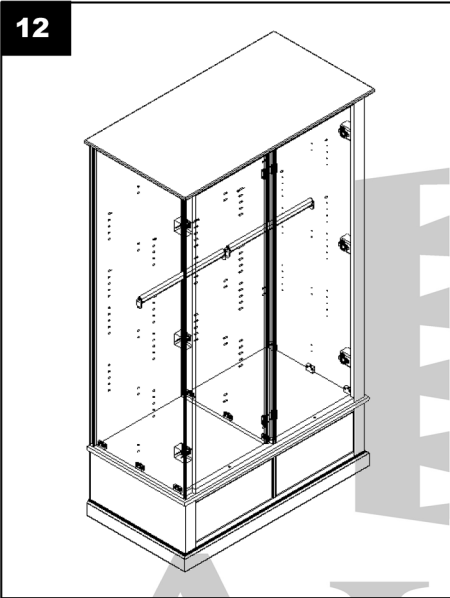
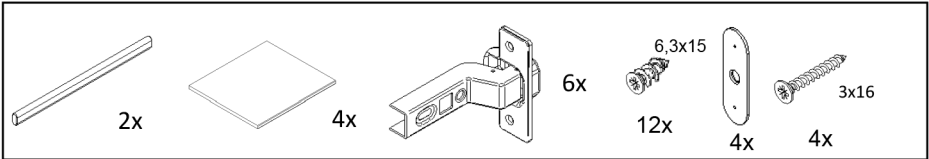
9



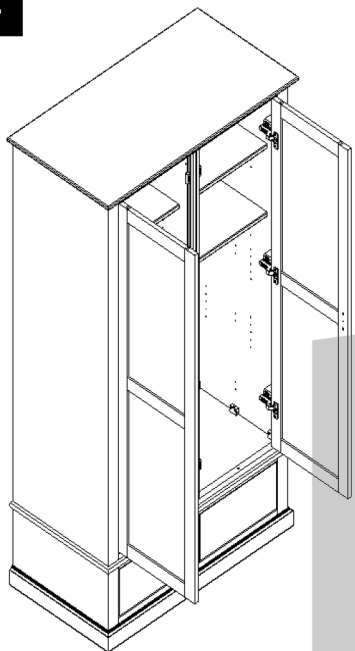
10



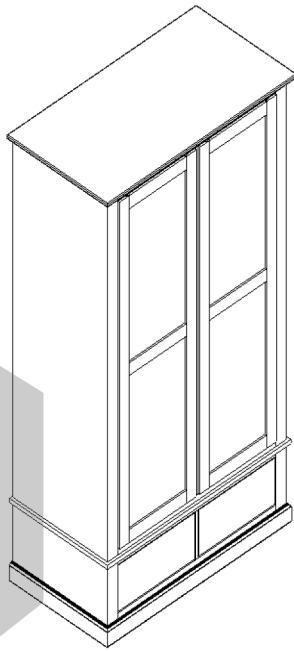
ALTA  
Furniture



14



✓



# ALTA

---

furniture